

Model No.: YTDB-12F-1

Overview

YTDB-12F-1 can connect the drop cable with feeder cable as the termination point in the Fttx network, which is cable to meet at least 12 users requirements. It can help splicing, splitting, storage and management with suitable space.



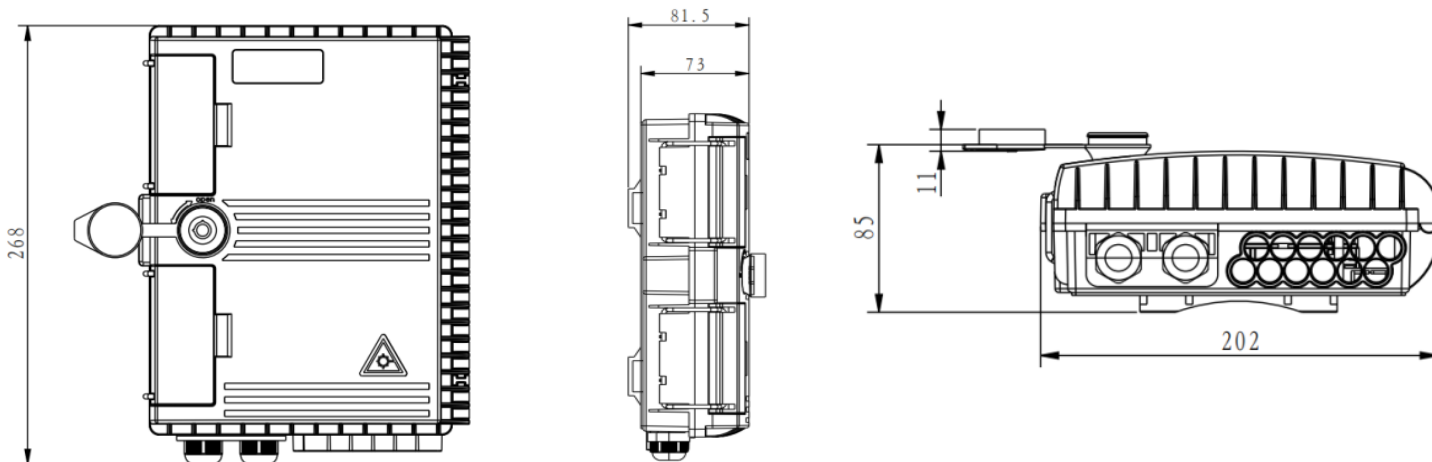
Technical Index

Model No.	YTDB-12F-1	Dimension(MM)	268*202*82
Material	ABS+PC	Color	Grey
Capacity	12 SC Adapter	Drop cables capacity	16
Temperature	-25°C~+55°C	Protection Level	IP55

Features

1. The body is made of high quality engineering plastic with good strength;
2. With safe special-shaped lock, the box can be opened easily and has good waterproof performance, suitable for indoor and outdoor natural environments
3. With double-page design, the box can be installed and maintained easily, the fusion and termination are completely separated
4. With double-page design, the box can be installed and maintained easily, the fusion and termination are completely separated
5. The drop leaf can be installed 1 pcs of 1*8 tube splitter and 1 pcs of 1*4 tube splitter

Technical Draw



Product View



Packing

Plastic bag size	500*410 (mm)
Inner box with single corrugated size	275*210*105 (mm)
Carton with double corrugated size	565*435*560 (mm)
Carton Box Capacity	20 PCS
Weight per carton	23 (Kg)