

Distribution Terminal box: YTDB-2MS144A

Overview

YTDB-2MS144A wall mountable outdoor splice box is very suitable for FTTx uses. It provides a high-density splicing system with fiber management, saves space and ensures all the fibers and cables are well organized.

Features

- The cabinet has functions of cable termination, splicing, distribution
- The box has functions of cable splicing and patching.
- High density up to 144 core splicing.
- Solid structure with good performance of dust-proof.
- Pleasing and neat appearance.
- Easy installations: Wall mountable.
- Lock provided on every box ensures the safety of the fibers.



Dimensions and Capacity

Box Type	Dimension (H x W x D) mm	Capacity
Square Corner	600x370x120	144 cores

- Customized design available upon request.

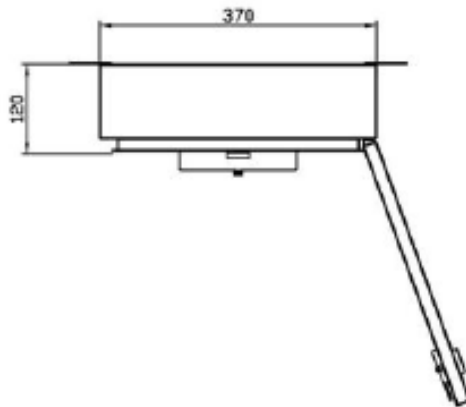
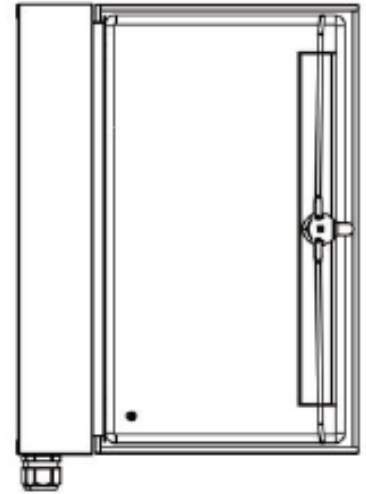
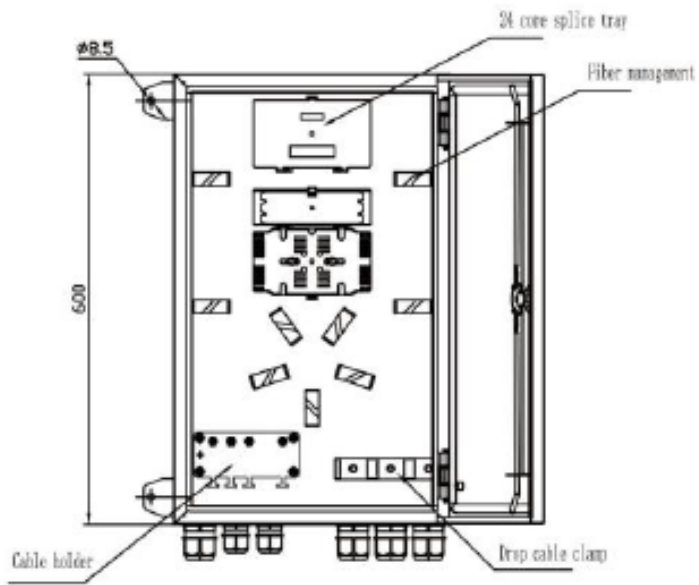
Operation Conditions

Temperature	Humidity	Air Pressure
-30°C - 75°C	≤90% (at 30 °C)	70kPa - 106kPa

Packing

Package Contents	Material
Package Contents Splice box, 1 unit	Carton Box

Technical Drawing



Part Details

