

Model YCDH-D048-2

Overview

Model YCDH-D048-2 one of the main equipment for user access points, applied for protective connection and distribution between two or more cables. The primary function is to connect distribution cable and indoor cable in the open air. It's widely used in communication systems, cable TV, optical cable network systems and others by virtue of steady structure, good sealing performance and easy construction.

Features

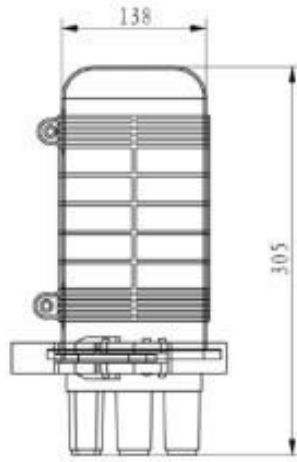
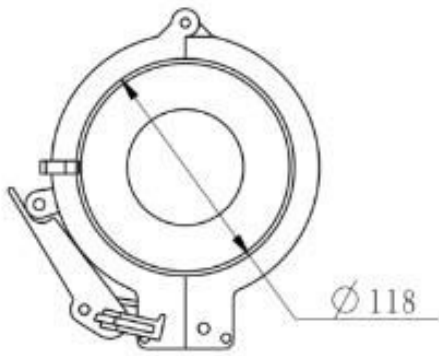
- The body is made of high quality engineering plastic with good strength
- With good waterproof design, the fiber optical splice closure can be applied into underground and aerial.
- Be equipped with 4 splice trays (each capacity is 12 cores)
- Excellent fiber routing design ensures the radius curvature of the fiber well and enough fiber storage space.



Technical index

Model No.	YCDH-D048-2	Color	Black
Capacity	48 cores	Material	PC+ABS
External dimension (±5)	105*82*24	Inlet cable port	Φ8-Φ16
Protection Level	IP68	Outlet cable port	Φ8-Φ18
Sealing Method for Inlets	Heat shrinkable	Inlet/outlet	1/3

The dimension diagram:(mm)



Pictures for reference:





Package Information:

- Temperature : -40°C — +65°C
- Atmospheric Pressure : 70 — 106kPa
- Product structure: Single-ended design.
- Product can accommodate micro cable with proper grommet.