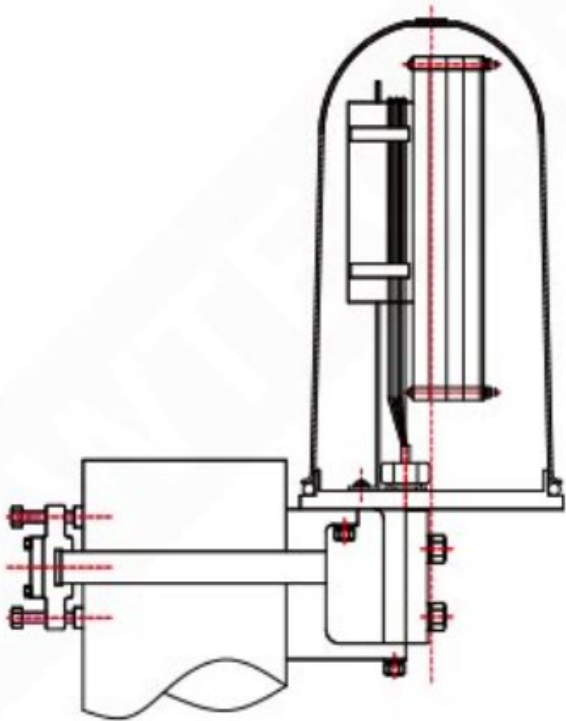


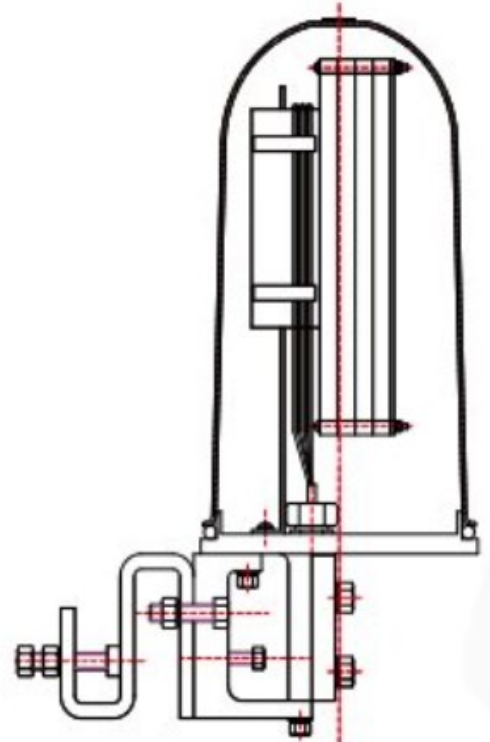
Model No.: YCD-OPGW-ADSS-D024-1

Overview

1. With excellent environmental applicability, reliability and waterproof, fully meet the requirements of the life of the optical communication system.
2. Easy to operate, optical fiber splicing loss is not affected by the stress, the transmission properties of optical fiber.
3. Connector box in the optical fiber fixed on the tower and the connector box fixed is convenient, fast and strong. It can be installed on the tower, the concrete pole.
4. The splice, reinforced by hot-melting & hot-shirking bushing and the excess length of fiber optic cable are accommodated in laminated way.



Pole install

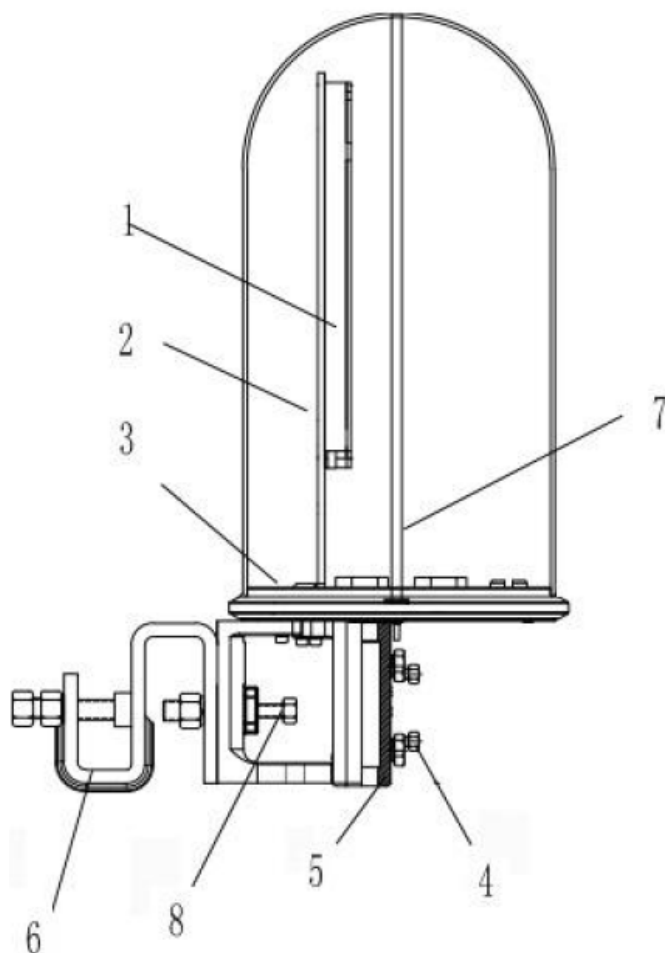
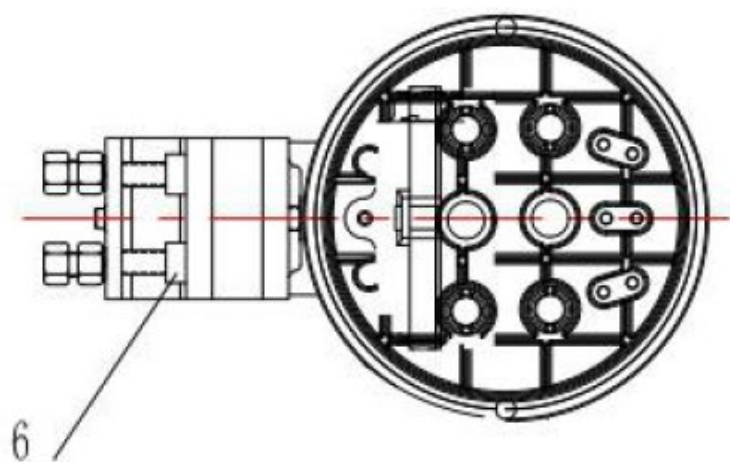


Tower install

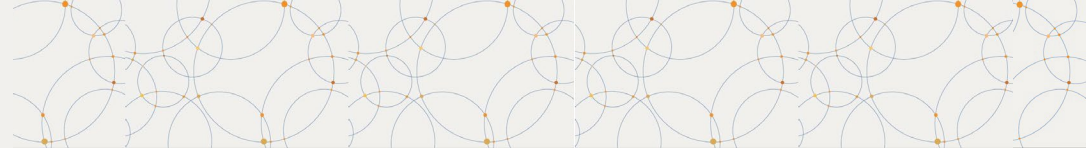
Technical Index

Model No.	YMCD-D024-1
Capacity	24 FO
Environment temperature	-40°C~+60°C
Atmospheric pressure	70KPa-106KPa
Normal temperature sealing	Internal pressure 70KPa, keep for 72 hours, the pressure won't fall.
Cycle	Room temperature: 20°C, high-low temperature: -40°C~+60°C, at least for four hours, cycle one time per 12 hours, when internal pressure 60KPa±5KPa carries out 10 times, the drop amplitude of pressure is not over 5KPa.
High temperature sealing	Internal pressure 70KPa, keeping for 168 hours under 60°C, the pressure won't fall.
Strength	Tensile force is not less than 2000N; the box body's pressure resistance is not less than 3000N.
Bending force of cable and joint box	150N(±45°)

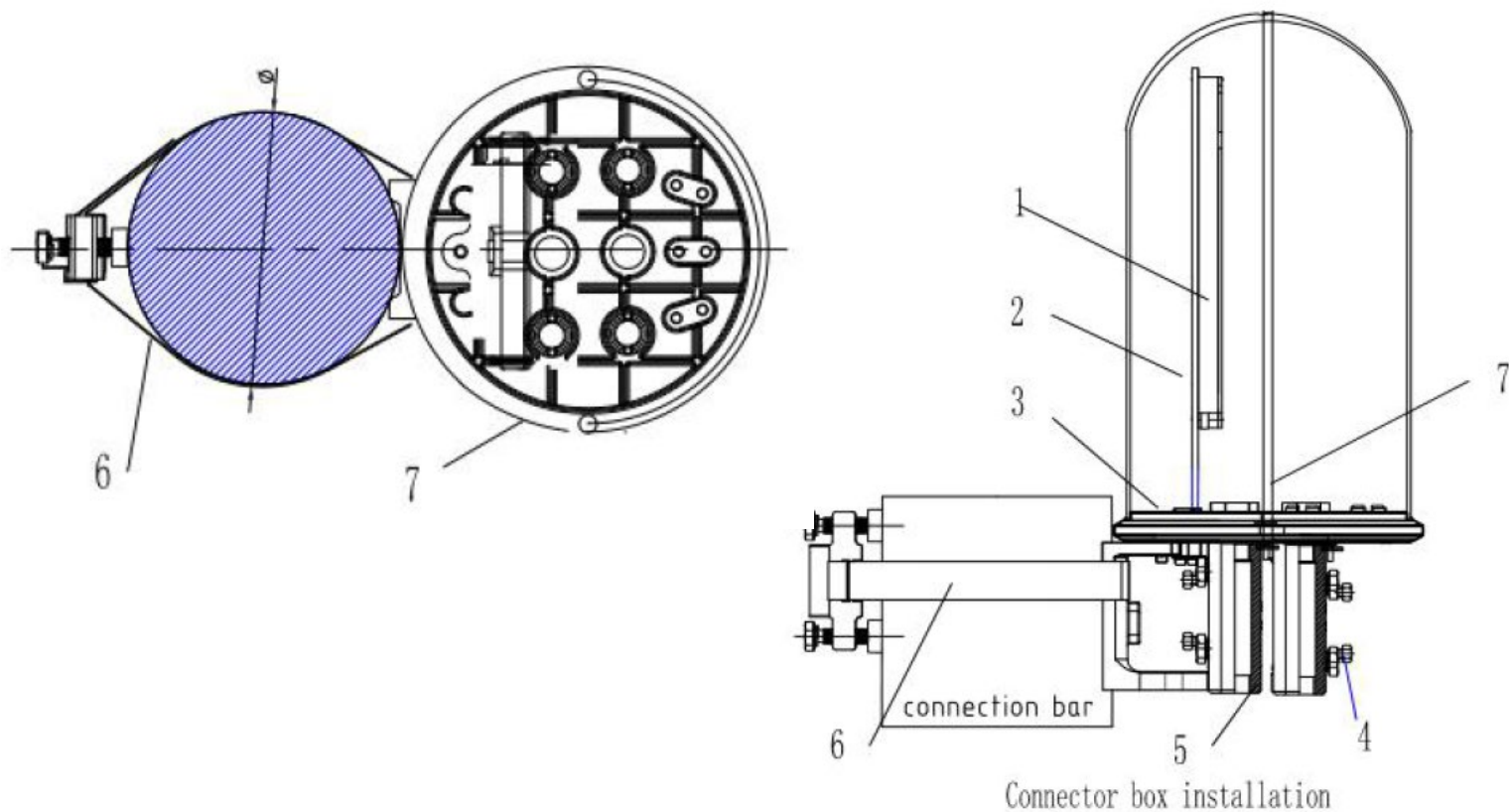
Tower Install



No.	Part Name	QTY	Unit	Material
8	Bolt	1	PCS	Stainless steel
7	Seal hoop	1	PCS	Stainless steel
6	Support	1	PCS	Hot-galvanized
5	Clamp plate	1	PCS	Aluminum alloy
4	Bolt	6~12	PCS	Stainless steel
3	Base	1	PCS	Aluminum alloy
2	Fiber holder	1	PCS	Aluminum alloy
1	Fiber dish	1	PCS	ABS



Pole Install



No.	Part Name	QTY	Unit	Material
7	Seal hoop	1	SET	Stainless steel
6	Rod fastening strip	1	SET	Stainless steel
5	Inlet cable pressing plate	1	PCS	Aluminum alloy
4	Adjustable bolt	6~12	PCS	Stainless steel
3	Base	1	PCS	Aluminum alloy
2	PAN fiber composite scaffold	1	PCS	ABS
1	Save fiber plate	1	PCS	ABS