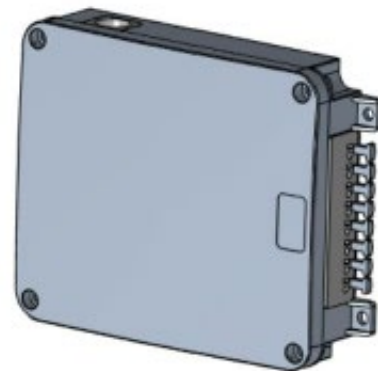


Model No.: YRB-8CT

Overview

It is used for home or work area to complete the access and port output of dual-core optical fiber, which can fully meet the requirements of the bending radius of optical fiber, and protect the incoming and outgoing optical fiber, and provide safe protection for the core. The appropriate radius of curvature allows for the inventory of a small amount of redundant fiber for FTTH (fiber to desktop) system applications.

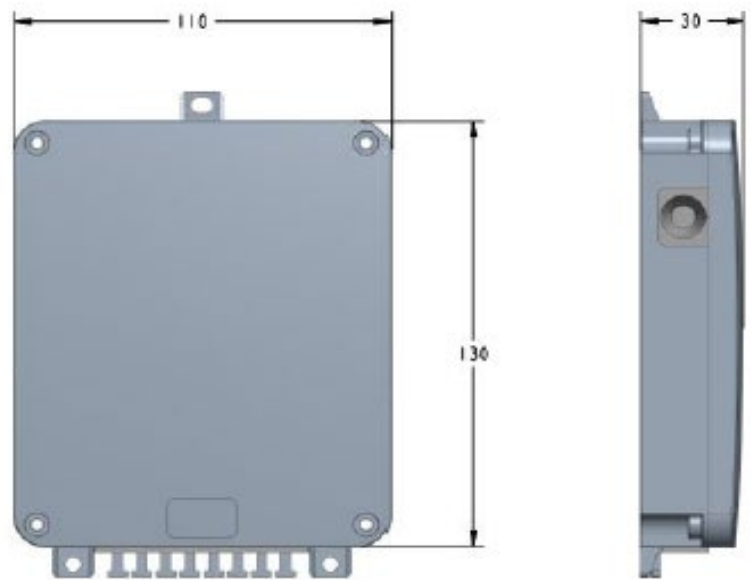


SPECIFICATIONS

| Item | Parameters |
|---------------------------|----------------|
| Material | ABS |
| External dimension (±5mm) | 130 x 110 x 30 |
| Color | White |
| Max Capacity | 8 |
| Direct cable hole | φ8-10mm |
| Cable Diameter (mm) | 8pcsφ2.0 |
| Operation temperature | -40 °C~+65 °C |
| Installation temperature | -15 °C~+40 °C |
| Storage temperature | -45 °C~+75 °C |
| Relative humidity | ≤85% (+30°C) |
| Atmospheric pressure | 70KPa~106Kpa |

Features

- Protecting the end face of the optical fiber.
- A very clear circuit interface.
- Cable wiring protection design.
- Flexible reserved cable length.
- Both suitable for drop cable.



Configuration

Accessories

| NO | Part Name | Reference Picture | Unit | Quantity |
|----|-----------------------------------|---|------|----------|
| 1 | shell | / | Set | 1 |
| 2 | Heat-shrinkable protection sleeve |  | PCS | 8 |
| 3 | Nylon cable tie |  | Set | 1 |
| 4 | Wall-mounted kit |  | Set | 1 |

INSTALLATION DIAGRAM

Wall-mounted installation

Drill holes into the wall as required, place expansion plugs, place boxes matching the holes, and fix them with screws. (Figure 1)

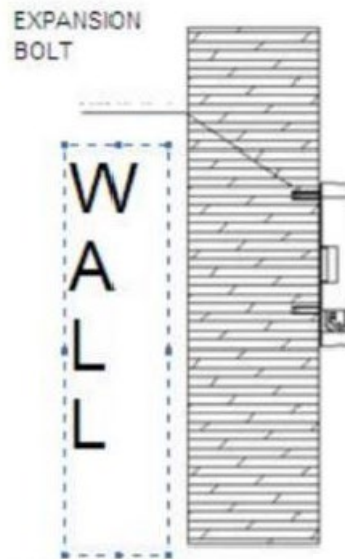





Figure 1

PACKAGE

| Item | Material | Amount / pcs | Size / mm | Reference picture |
|-------------------------------|----------|----------------------|--------------------|---|
| Independent product packaging | Carton | 1pcs / Inner carton | 160 x 120 x 36 |  |
| Outer packaging carton | Carton | 60pcs / Outer carton | 500 x 500 x 200 |  |
| pallet | Plywood | 2400pcs / Pallet | 1100 x 1100 x 2200 |  |

*Estimated size, for reference only, the actual packaging data is subject to the production order.